

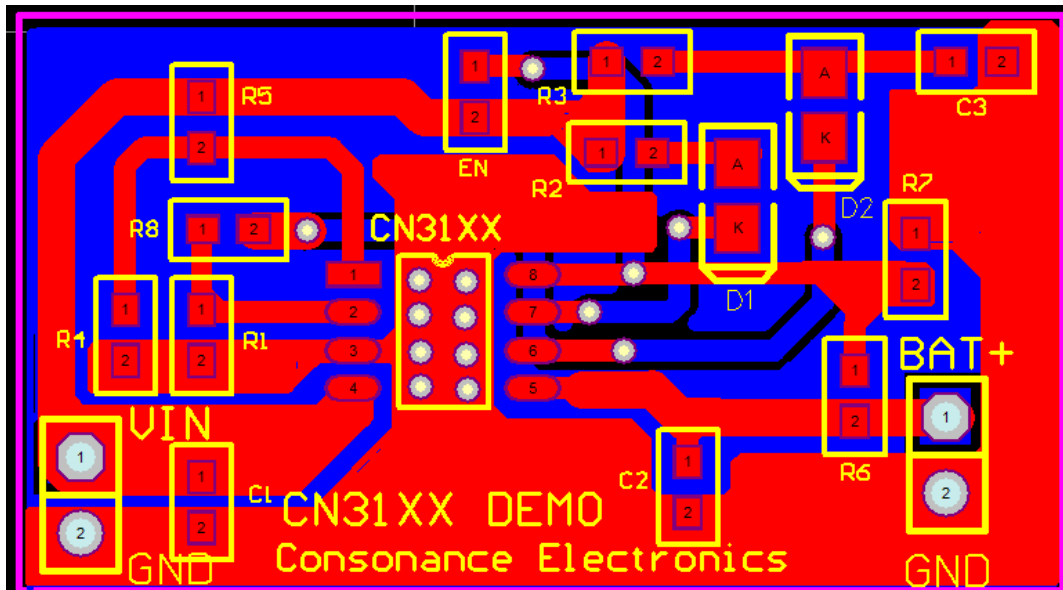
CONSONANCE

Quick Start of CN31xx Demo Board

1、 Overview

CN31XX demo board is for the purpose of fast evaluation of CN3052A, CN3058E, CN3062, CN3063, CN3082, CN3085, CN3152, CN3153, CN3155 and CN3162.

2、 PCB Layout of CN31xx Demo Board



3、 Component List and Descriptions

No.	Name	Descriptions
1	VIN	Positive Terminal of Input Power Supply.
2	GND	Negative Terminal of Input Power Supply.
3	BAT+	Positive Terminal of Battery.
4	CN31XX	The Charger IC such as CN3052A, CN3058E, CN3062, CN3063, CN3082, CN3085, CN3152, CN3153, CN3155 and CN3162.
5	R1	Charge Current Setting Resistor.
6	R2	Current Limit Resistor for Charging Indication LED.
7	R3	<ul style="list-style-type: none">● Current Limit Resistor for Battery Fault Indication LED for CN3052A.● Current Limit Resistor for Charge Termination Indication LED for CN3058E, CN3062, CN3063, CN3152, CN3153, CN3155, CN3162.● Timing Resistor for CN3085.● Resistor R_{IMIN} for CN3082.
8	R4	<ul style="list-style-type: none">● Leave R4 open for CN3063;● For the other part, please refer to the corresponding datasheet.

CONSONANCE

(Continued from last page)

No.	Name	Descriptions
9	R5	Pin 1's Pull up Resistor. Please refer to the corresponding datasheet.
10	R6	<ul style="list-style-type: none">● Leave R6 Open for CN3052A and CN3152.● For CN3082 and CN3085, R6 is used to set battery's maximum voltage.● For the other part, R6 is used to adjust the constant charge voltage.
11	R7	<ul style="list-style-type: none">● Leave R7 Open for CN3052A, CN3058E, CN3062, CN3063, CN3152, CN3153, CN3155 and CN3162.● R7 is to set battery's maximum voltage for CN3082 and CN3085.
12	R8	<ul style="list-style-type: none">● For CN3082, R8 is used to set the maintenance current.● Leave R8 open for the other part.
13	C1	Input Filter Capacitance.
14	C2	Output Filter Capacitance.
15	C3	<ul style="list-style-type: none">● Timing Capacitance for CN3085.● Leave C3 Open for the Other Part.
16	D1	LED for Charge Status Indication.
17	D2	<ul style="list-style-type: none">● LED for Battery Fault Indication for CN3052A.● LED for Charge Termination Indication for CN3058E, CN3062, CN3063, CN3152, CN3153, CN3155 and CN3162.● Leave D2 Open for CN3082.● Short D2 for CN3085.
18	EN	<ul style="list-style-type: none">● Chip Enable Input for CN3052A and CN3152. Short pin8 to VIN to make CN3052A and CN3152 operate normally; Or connect logic signal to enable or disable CN3052A or CN3152.● Leave EN alone for the other part.