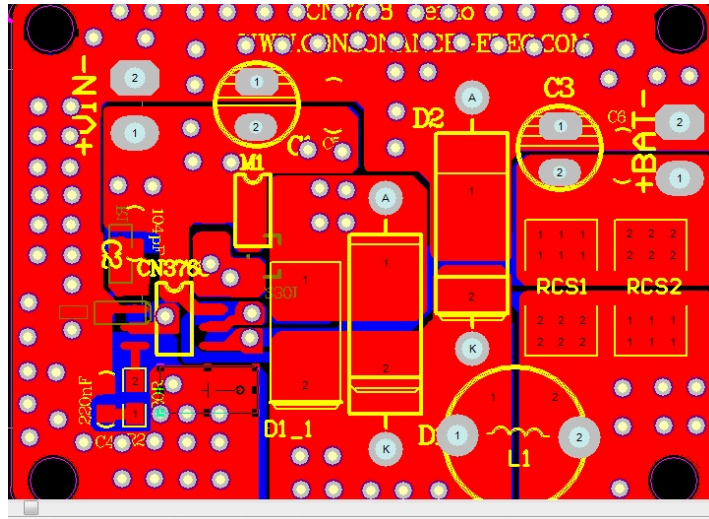


Quick Start of CN3768 Demo Board

1、 Overview

The CN3768 demo board is for the purpose of fast evaluation of CN3768.

2、 PCB Layout of CN3768 Demo Board



3、 Component List and Descriptions

No.	Name	Description
1	VIN+	Positive Terminal of Input Power Supply.
2	VIN-	Negative Terminal of Input Power Supply (GND).
3	BAT+	Positive Terminal of Battery.
4	BAT-	Negative Terminal of Battery (GND).
5	M1	The P-Channel MOSFET which is available in SOP8 package or in SOT23 package can be used.
6	CN3768	The Charger IC CN3768.
7	D1,D2	Schottky Diode.
8	RED	The LED for Charging Status Indication.
9	L1	Inductor.
10	RCS1,RCS2	Charge Current Sense Resistor.
11	C1, C5	Input Bypassing Capacitor.
12	C2	The Capacitor of 100nF.
13	C3, C6	Output Capacitor.
14	C4	The Closed-loop Compensation Capacitor, whose capacitance is 220nF.
15	R1	The LED Current Limiting Resistor.
16	R2	The Closed-loop Compensation Resistor of 120ohms.