

## PFM Step-up Multi-cell Battery Charger IC CN3305

### General Description:

CN3305 is a PFM mode step-up battery charge management IC with operating voltage range between 2.7V to 6.5V. It is specially designed for multi-cell lithium-ion, LiFePO4 and Lead Acid battery charge management with fewer external components. CN3305 adopts constant current and quasi-constant voltage(Quasi-CV™) mode to charge battery.

On power up, CN3305 enters charging mode, the external N-channel MOSFET is turned on, inductor current rises. When inductor current reaches upper threshold, the N-channel MOSFET is turned off, inductor is discharged, the energy stored in inductor is transferred to battery. When the inductor current is discharged to its lower threshold, the N-channel MOSFET is turned on again. When FB pin voltage reaches 1.205V(Typ.) for the first time, CN3305 enters quasi-CV mode, in which the charge current is reduced. The charge process will not be terminated until FB voltage reaches 1.205V for the second time. In termination mode, the N-channel MOSFET is turned off. When FB voltage falls below recharge threshold, the CN3305 enters charge mode again. CN3305's switching frequency can be up to 1MHz, which makes a small-profile inductor usable.

If battery voltage is lower than input voltage by a diode drop, CN3305 will increase the off time to 5us to reduce the charge current as a protection for battery with the joint action of external N-channel and P-channel MOSFET.

The other features include status indication, etc. CN3305 is available in 8-pin SOP package.

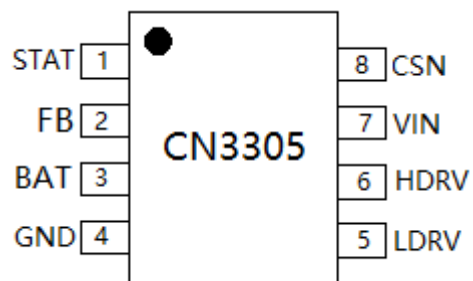
### Applications:

- Lithium-ion, LiFePO4 and Lead-Acid Battery
- Power Bank,
- Electric Appliance
- Audio System
- Standalone Battery Charger

### Features:

- Input Voltage Range: 2.7V to 6.5V
- Operating Current: 280uA@VIN=5V
- Suitable for Lithium-ion, LiFePO4 and Lead-Acid Batteries
- Inductor Current Detection
- Switching Frequency up to 1MHz
- Quasi-CV mode to Compensate for the Voltage Loss on Battery Internal Resistance and Trace Resistance
- Automatic Recharge
- Output Power up to 35W
- Protection for Low Battery Voltage and Short Battery
- Automatic Adaptability to Input Supply with Limited Driving Capability
- Battery Overvoltage Protection
- Status Indication
- Operating Temperature : -40°C to 85°C
- Available in SOP8 Package
- Lead-free, rohs-Compliant and Halogen Free

### Pin Assignment



**Note:** Quasi-CV is the trade mark of Consonance Electronics

# CONSONANCE

## Typical Application Circuit:

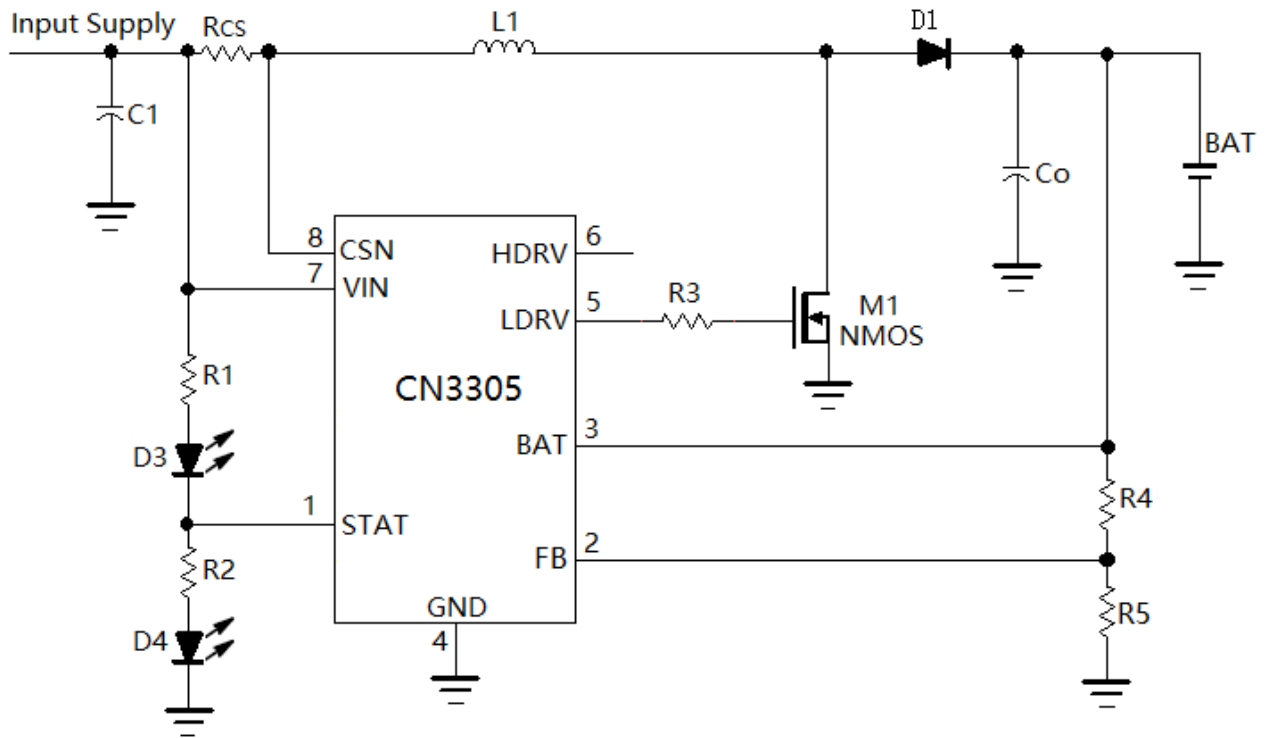


Figure 1 Typical Application Circuit (No protection for low or short battery)

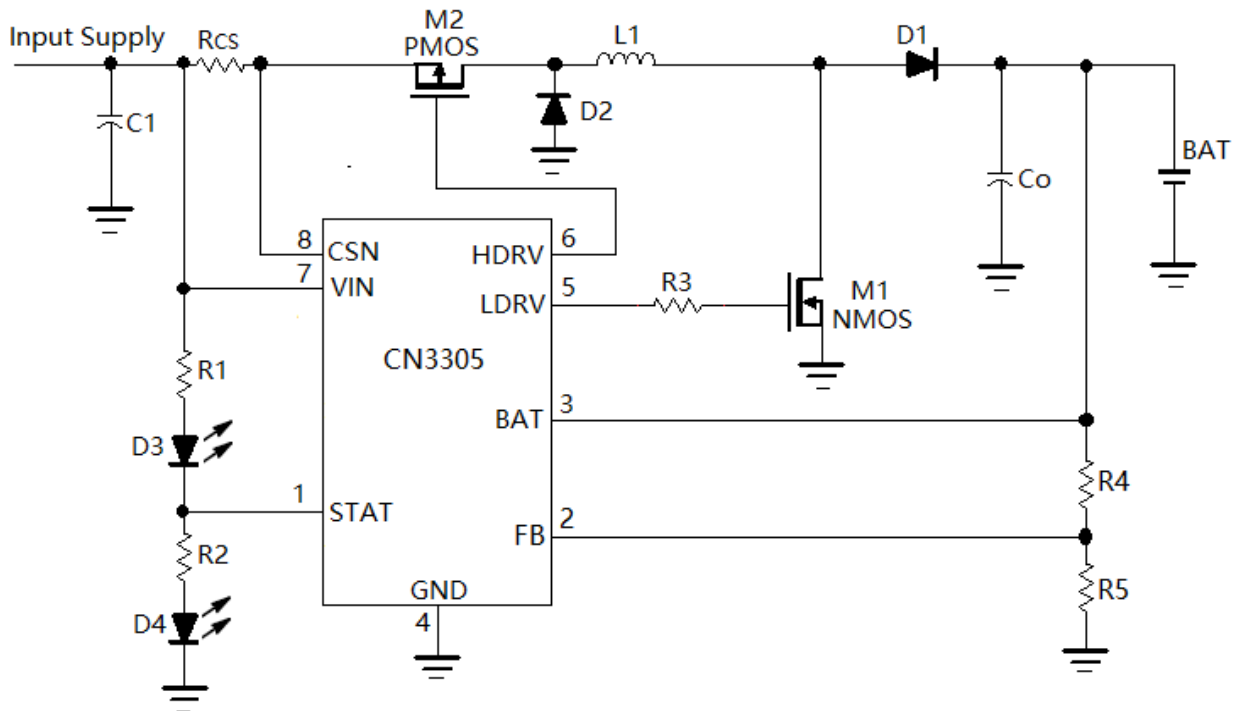


Figure 2 Typical Application Circuit (Protection for low or short battery)

# CONSONANCE

## Ordering Information:

Part No.	Package	Shipping	Operating Temperature
CN3305	SOP-8	Tape and Reel, 4000/reel	-40°C to 85°C

## Block Diagram:

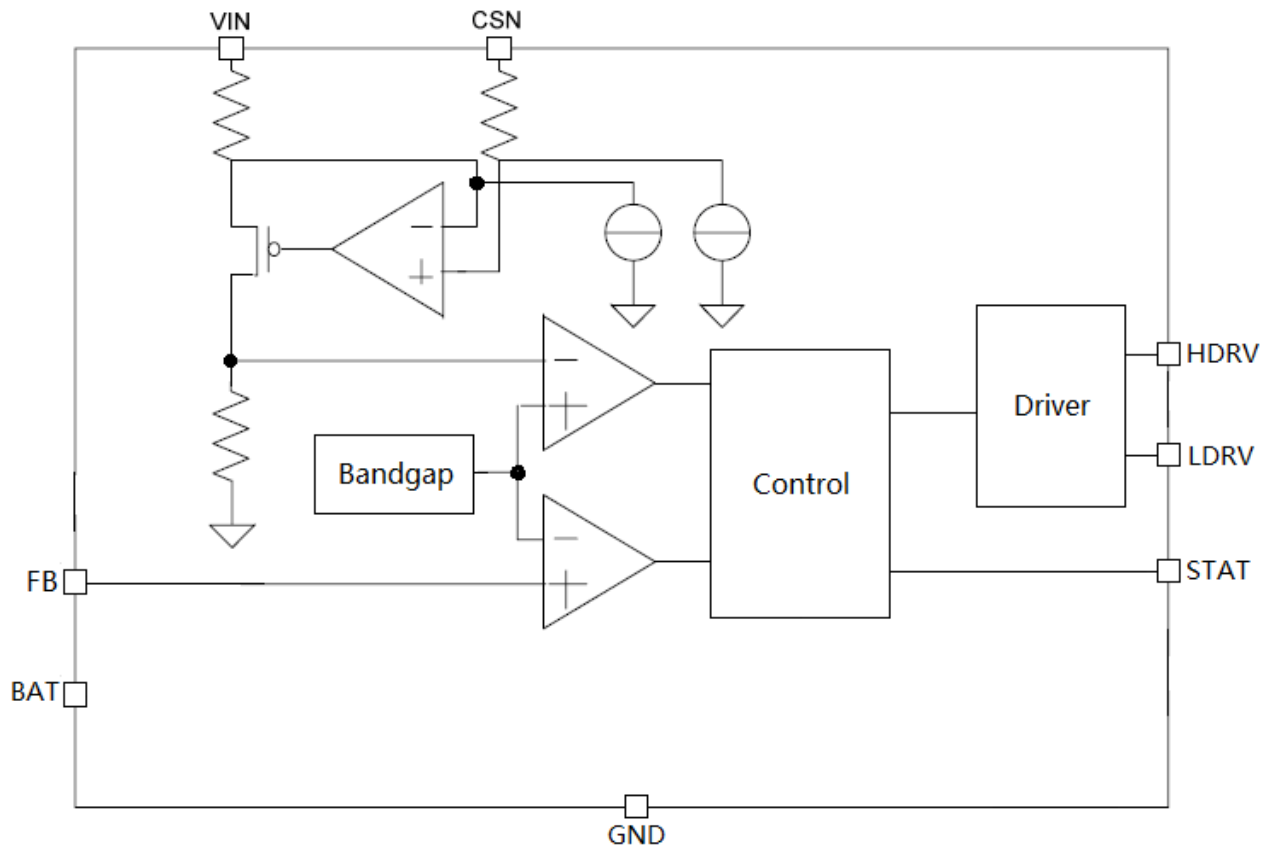


Figure 3 Block Diagram

# CONSONANCE

## Pin Description:

No.	Symbol	Description
1	STAT	<b>Status Indication Output.</b> CMOS output. STAT pin's being high means charger is in charging state; and charger is in termination state when STAT pin is low.
2	FB	<b>Battery Voltage Feedback Input.</b> FB pin is connected to the external resistor divider to sense the battery terminal voltage. The charging mode or charge termination is determined by the voltage at FB pin.
3	BAT	<b>Battery Positive Terminal.</b> BAT pin should be tied to battery's positive terminal to monitor battery voltage.
4	GND	<b>GND.</b> Ground, namely the negative terminal of input supply and battery.
5	LDRV	<b>Gate Drive for external N-Channel MOSFET.</b> Connect LDRV pin to the gate of external N-Channel MOSFET.
6	HDRV	<b>Gate Drive for external P-Channel MOSFET.</b> Connect HDRV to the gate of external P-Channel MOSFET. If there is no need to consider the cases such as battery voltage being lower than input supply or short battery, then the P-Channel MOSFET is not needed, and leave HDRV pin floating.
7	VIN	<b>Positive Terminal of Input Supply.</b> CN3305's internal circuit is powered by this pin, VIN is also the positive terminal of inductor current sensing.
8	CSN	<b>Negative Terminal of Inductor Current Sensing.</b> A current sense resistor $R_{CS}$ between VIN pin and CSN pin is used to sense inductor current, also the input current. In constant current mode, $(VIN - CSN)$ is regulated between 85mV and 125mV.

## ABSOLUTE MAXIMUM RATINGS

VIN, CSN and FB Voltage.....	-0.3V to 7.0V	Maximum Junction Temperature.....	150°C
BAT Voltage.....	-0.3V to 18V	Operating Temperature Range.....	-40°C to 85°C
CSN and VIN Voltage.....	-0.3V to 0.3V	Storage Temperature.....	-65°C to 150°C
STAT, LDRV and HDRV Voltage.....	-0.3V to VIN	Lead Temperature(Soldering, 10s).....	260°C

*Stresses beyond those listed under "Absolute Maximum Ratings" may cause permanent damage to the device. These are stress ratings only, and functional operation of the device at these or any other conditions beyond those indicated in the operational sections of the specifications is not implied. Exposure to absolute maximum rating conditions for extended periods may affect device reliability.*

# CONSONANCE

## ELECTRICAL CHARACTERICS:

(VIN = 5V, TA = -40°C to +85°C, Typical values are at TA = +25°C, unless otherwise noted)

Parameters	Symbol	Test Conditions	Min	Typ.	Max	Unit	
Input Voltage Range	VIN		2.7		6.5	V	
UVLO Threshold	VUVLO				2.65	V	
Operating Current	IVIN	VFB = 1.5V, No Switching	200	280	360	uA	
Switching	fsw		200		1000	KHz	
<b>Inductor Current Sense Comparator</b>							
Sense Threshold High	VCSHI	CC	(VIN - VCSN) rises from 0V until	113	123	133	mV
		Quasi-CV	V_LDRV < 0.5V	65	75	85	
Sense Threshold Low	VCSLO	CC	(VIN - VCSN) falls from 0.2V till	77	87	97	mV
		Quasi-CV	V_LDRV > (VCC - 0.5V)	32	42	52	
Propagation Delay to Output High	tDPDH	(VIN - VCSN): 0.15V to 0.075V		72		ns	
Propagation Delay to Output Low`	tDPDL	(VIN - VCSN): 0.06V to 0.135V		66		ns	
CSN Input Current	ICSN				1	uA	
<b>BAT Pin</b>							
BAT Pin Resistance	R_BAT		1.7	2.1	2.5	Mohm	
<b>FB Pin</b>							
FB Charge Termination Threshold	V_termin	FB voltage rises	1.193	1.205	1.217	V	
FB Recharge Threshold	V_rech	FB voltage falls	1.146	1.161	1.176	V	
FB Pin Current	I_BAT		-100	0	100	nA	
Over Voltage Threshold	V_OV	FB voltage rises	1.265	1.285	1.305	V	
Over Voltage Release Threshold	V_OVRLS	FB voltage falls	1.215	1.35	1.255		
<b>LDRV Pin</b>							
LDRV Source Current		VCSN = VIN, V_DRV = 0.5 × VCC		0.65		A	
LDRV Sink Current		VCSN = VIN - 0.2V, V_LDRV = 0.5 × VCC		0.65		A	
LDRV Output High	V_OH	I_LDRV = 5mA	VCC - 0.3			V	
LDRV Output Low	V_OL	I_LDRV = -5mA			0.3	V	
<b>HDRV Pin</b>							
HDRV Source Current		VCSN = VIN - 0.2V, BAT Short to GND, V_HDRV = 0.5 × VCC		0.8		A	
HDRV Sink Current		VCSN = VIN, BAT short to GND V_HDRV = 0.5 × VCC		0.8		A	
HDRV Output High	V_OH	I_HDRV = 5mA	VCC - 0.3			V	
HDRV Output Low	V_OL	I_HDRV = -5mA			0.3	V	

# CONSONANCE

(Continued from Last Page)

Parameters	Symbol	Test Conditions	Min	Typ.	Max	Unit
<b>STAT Pin</b>						
Sink Current	ISINK	V <sub>STAT</sub> =0.3V, Termination mode		10		mA
Source Current	ISRC	V <sub>STAT</sub> =4.7V, Charge mode		10		mA

## Detailed Description:

The CN3305 is a step-up charge management IC for multi-cell lithium-ion, LiFePO<sub>4</sub> and Lead-Acid batteries with input voltage range from 2.7V to 6.5V.

The CN3305 is composed of reference voltage, inductor current sensing circuit, battery over voltage protection circuit, low battery protection, logic control block and MOSFET driver, etc. The CN3305 is ideally suitable for multi-cell lithium, LiFePO<sub>4</sub> and Lead-Acid batteries charging application with fewer external components.

After power-on, CN3305 enters constant current charging mode, STAT pin outputs high to indicate that the charging is ongoing, the external N-channel MOSFET is turned on, the inductor current rises, and the energy stored in the output capacitor is transferred to battery. When the inductor current rises to the upper threshold, the N-channel MOSFET is turned off, the inductor current begins to fall, the energy stored in the inductor is transferred to the battery and the output capacitor. When the inductor current falls to the lower threshold, the external N-channel MOSFET is turned on again, and so forth. The battery voltage is sensed by the off-chip resistor divider. When the voltage at FB pin reaches 1.205V(Typical) for the first time, CN3305 enters quasi-CV mode after deglitching. In quasi-CV mode, the charge current is reduced to 50% of that in constant current mode. When the voltage at FB pin reaches 1.205V(Typical) for the second time, the charging is terminated, the external N-channel MOSFET is turned off, CN3305 enters termination mode, and STAT pin outputs low to indicate the termination mode. In termination mode, there is no current flowing to the battery, when the FB voltage falls to 1.161V(Typical), CN3305 enters constant current mode again.

The highest switching frequency of CN3305 can be up to 1MHz, which makes the low-profile inductor usable.

CN3305 is a step-up charger IC, which means the battery voltage should be higher than the input voltage. In certain extreme cases, the battery voltage may be lower than the input voltage, or even the battery is shorted to GND, if these are the cases, the off-time of the external N-channel MOSFET will be lengthened, hence the charge current is reduced as a kind of protection to the battery.

The other functions include battery over voltage protection, etc..

The charge profile is illustrated in Figure 4.

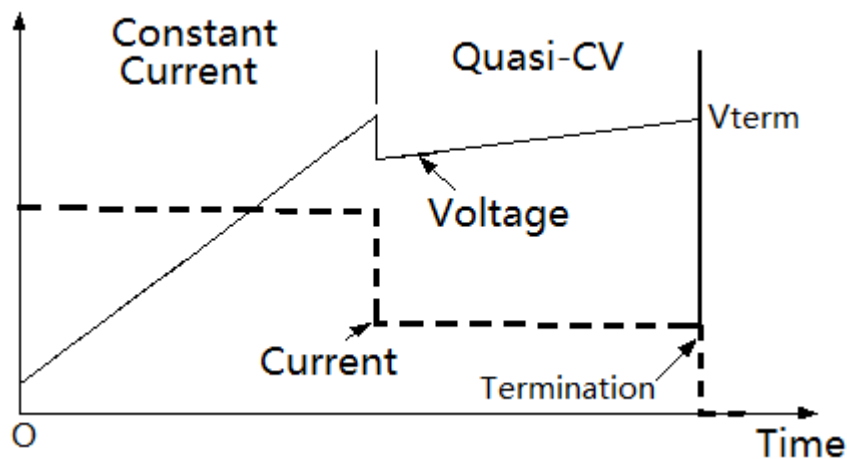


Figure 4 Charging Profile



# CONSONANCE

---

So the switching frequency is:

$$f_{sw} = \frac{1}{t_{on} + t_{off}} = \frac{1}{\frac{0.04 \times L}{V_{IN} \times R_{CS}} + \frac{0.04 \times L}{(V_{BAT} + V_D - V_{IN}) \times R_{CS}}}$$

CN3305 requires that the minimum switching frequency is no less than 200KHz. A frequency between 200KHz and 600KHz can achieve a good balance between efficiency and inductor size.

The switching frequency varies with input voltage and battery voltage, so when determining the switching frequency, the nominal battery voltage should be used.

Based on the requirements of input voltage range, charge current and switching frequency, the inductor value varies between 3.3uH and 15uH.

The duty cycle of CN3305 LDRV pin:

$$D = \frac{t_{on}}{t_{on} + t_{off}} = \frac{V_{BAT} + V_D - V_{IN}}{V_{BAT} + V_D}$$

In the above 2 equations:

L is the inductor value in Henry(H)

V<sub>IN</sub> is the input voltage in Volt

V<sub>BAT</sub> is battery voltage in Volt

V<sub>D</sub> is the forward voltage drop of diode in Volt

R<sub>CS</sub> is the inductor current sense resistance in ohm(Ω)

## Estimate Charge Current in Constant Current Mode

CN3305 controls charge current by monitoring inductor current, so the charge current in CC mode may vary with the input voltage and battery voltage.

Normally the following equation can be used to estimate the charge current:

$$I_{CH} = \frac{V_{IN} \times I_L \times \eta}{V_{BAT}}$$

Where,

I<sub>CH</sub> is charge current in Ampere

V<sub>IN</sub> is input voltage in Volts

I<sub>L</sub> is the average inductor current in Ampere, and decided by 0.106 / R<sub>CS</sub>

η is the conversion efficiency varying between 80% and 93%.

V<sub>BAT</sub> is battery voltage in Volt

## Charge Termination

When FB pin voltage reaches 1.205V(Typical) in Quasi-CV state, the charging is terminated, the external N-channel MOSFET is turned off, no current flows to battery.

## Recharge

In charge termination state, if voltage at FB pin falls below 1.161V(Typical), CN3305 enters recharge state.

## Selection of N-Channel MOSFETN

The CN3305's gate driver is capable of sourcing 0.65A and sinking 0.65A of current. MOSFET selection is based on the maximum battery voltage, inductor current and operating switching frequency. Choose an N-channel MOSFET that has a higher breakdown voltage than the maximum battery voltage, low R<sub>ds(ON)</sub>, and low total gate charge(Q<sub>g</sub>) for better efficiency. MOSFET threshold voltage must be adequate if operated at the low end of the input-voltage operating range.



# CONSONANCE

## Selection of Free-Wheeling Diode

The forward voltage of the freewheeling diode (D1 in Fig.1 and Fig.2) should be as low as possible for better efficiency. A Schottky diode is a good choice as long as the breakdown voltage is high enough to withstand the maximum battery voltage. The current rating of the diode must be at least equal to the maximum charge current. D2 in Fig.2 is only used when the input voltage is higher than battery voltage, in this case the inductor current is lowered much, and the maximum voltage applied on the diode is input voltage, so most of the schottky diodes can be used for D2.

## Input Capacitor

In most applications, a bypass capacitor at VIN is needed. An at least 4.7uF ceramic capacitor, placed in close proximity to VIN and GND pins, works well. In some applications depending on the power supply characteristics and cable length, it may be necessary to increase the capacitor's value. The capacitor's breakdown voltage should be higher than the maximum input voltage.

Generally a capacitor between 4.7uF and 47uF works well, ceramic capacitor of X5R or X7R is highly recommended.

## Output Capacitor

A filter capacitor (Co in Figure 1 and Figure 2) is needed between battery positive terminal and ground, the capacitor also supply energy to battery when the N-channel MOSFET is in on state.

The output capacitance is determined by the requirement of output ripple voltage. The ripple voltage is decided by the following equation:

$$\Delta V_{BAT} = \frac{I_{CH} \cdot t_{off}}{C_o} + \frac{0.04 \cdot r_{esr}}{R_{cs}}$$

Where,  $I_{CH}$  is the charge current flowing into battery

$t_{off}$  is the off time of N-channel MOSFET

$C_o$  is the output capacitance

$r_{esr}$  is the equivalent series resistance of output capacitor

$R_{cs}$  is the inductor current sense resistor shown in Figure 1 and Figure 2

So the ESR of the output capacitor should be as small as possible, X5R or X7R ceramic capacitors are recommended.

## Status Indication

CN3305's CMOS output STAT pin is for status indication. In charge state, STAT pin outputs high; In charge termination state, STAT pin outputs low.

STAT pin can drive LEDs directly or interface with MCU.

In the application circuit shown in Figure 1 and Figure 2, STAT pin is driving LEDs.

When STAT pin interfaces with MCU, if CN3305's operating voltage is higher than MCU's power supply, then the circuit shown in Figure 5 can be used:

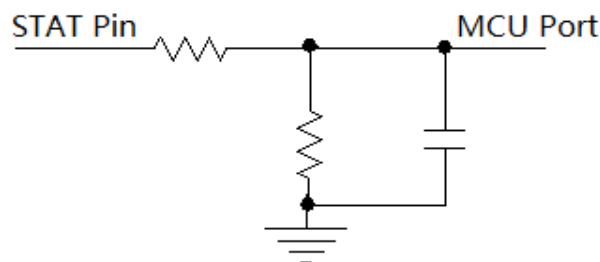


Figure 5 STAT Pin Interfaces with MCU

# CONSONANCE

If 2 common-anode or common-cathode LEDs are to be driven, then the circuits in Figure 6 can be used.

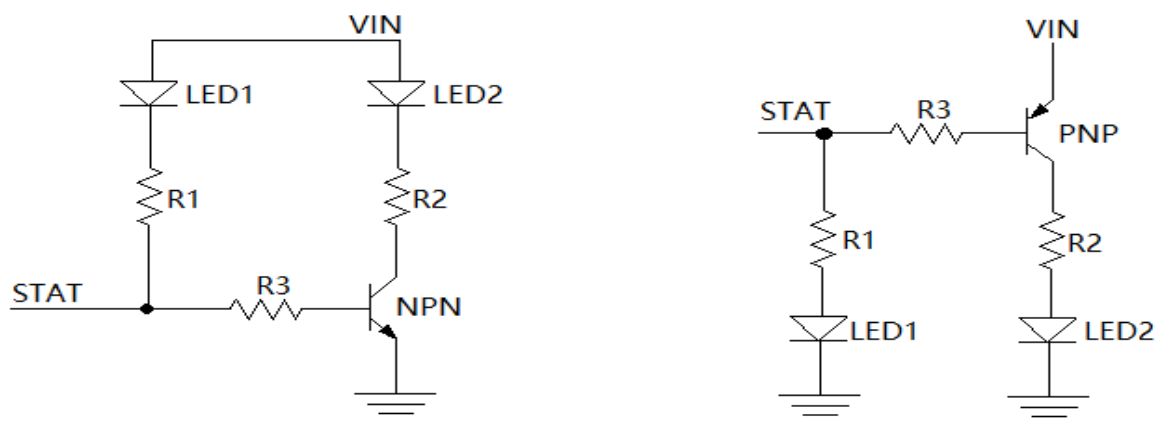


Figure 6 Drive 2 common-anode or common-cathode LEDs

## Low Battery or Shorted Battery Protection

In normal operation, the battery voltage is higher than the input voltage. But in some cases, the battery voltage may be lower than input voltage, or even the battery is shorted to Ground. In these cases, the application circuit shown in Figure 2 should be adopted, otherwise the uncontrolled current may be flowing from input supply to the battery through the inductor and diode, which may be harmful to battery.

## Self-adaptive Function to Input Supply

CN3305 can adjust the inductor current automatically to adapt the input supply's output capability. This feature makes it possible that the circuit design can be done based on the adaptor with strong output capability for quick charge purpose, while the adaptor with weaker output capability can also be used for charge purpose.

In self-adaptive mode, the input voltage may fall below 2.4V, so the external MOSFETs should be selected in such a way that they are fully turned on at about 2.4V.

## Design Procedures

The following design procedures can be followed to design the parameters of CN3305 application circuit:

- (1) To determine the charge current based on the battery capacity and the requirement of charge time.
- (2) To estimate the input current based on the input voltage range and charge current. The input current is also the inductor current.
- (3) To decide the input capacitor based on the input supply's characteristics, input supply's cable length and input current.
- (4) To select diode, N-channel MOSFET and P-channel MOSFET based on input voltage, inductor current and the battery's highest voltage.
- (5) To calculate the current sense resistor  $R_{CS}$  based on the average inductor current
- (6) To determine the inductor value according to the switching frequency. The switching frequency can be from 200KHz to 1MHz. Generally speaking, a switching frequency between 300KHz and 600KHz can achieve a good balance between efficiency and inductor's profile.
- (7) To select the output capacitor based on the switching frequency and charge current.

## Design Example

The circuit parameters for Figure 1 and Figure 2 are shown in the following table for some typical scenarios. The circuit parameters are designed based on typical conditions without considering the specific application conditions and the environmental factors. The circuit parameters shown in the table are for reference only.

# CONSONANCE

(1) VIN=5V, I<sub>CH</sub> is charge current, battery termination voltage is set at 7.35V which is the case of 2-cell LiFePO4 batteries.

	I <sub>CH</sub> =0.5A	I <sub>CH</sub> =1A	I <sub>CH</sub> =2A	I <sub>CH</sub> =3A	I <sub>CH</sub> =4A
<b>Average Inductor Current</b>	0.75A	1.5A	3A	4.5A	6A
<b>Input Capacitor C1</b>	10uF,0805	22uF,1206	2 22uF,1206 In Parallel	3 22uF,1206 In Parallel	4 22uF,1206 In Parallel
<b>Resistor R4, R5</b>	R4=510Kohm, R5=100Kohm				
<b>Diode D1</b>	SS24 or SS34	SS24 or SS34	SS24 or SS34	SS54 or 1N5824	SS54 or 1N5824
<b>Diode D2</b>	SS24 or SS34	SS24 or SS34	SS24 or SS34	SS34	SS34
<b>N-Type MOS M1</b>	SI2300,SI2302	AO4468	AO4468/4410	AO4410,	AON7140
<b>P-Type MOS M2</b>	SI2301,SI2305	AO4435	AO4435	AO4407A	AO4407A
<b>Current Sense Resistor R<sub>CS</sub></b>	150mΩ,0.15W	75 mΩ,0.25W	35 mΩ,0.5W	25 mΩ,1W	18 mΩ,1W
<b>Inductor L1</b>	22uH, I <sub>SAT</sub> >2A	10uH,I <sub>SAT</sub> >3A	6.8uH,I <sub>SAT</sub> >4A	4.7uH,I <sub>SAT</sub> >6A	3.3uH,I <sub>SAT</sub> >8A
<b>Switching Frequency</b>	446KHz	491KHz	337KHz	348KHz	357KHz
<b>Output Capacitor C<sub>o</sub></b>	10uF,0805	22uF,1206	2 22uF,1206 In Parallel	3 22uF,1206 In Parallel	4 22uF,1206 In Parallel

(2) VIN=5V, I<sub>CH</sub> is charge current, battery termination voltage is set at 10.85V which is the case of 3-cell LiFePO4 batteries.

	I <sub>CH</sub> =0.5A	I <sub>CH</sub> =1A	I <sub>CH</sub> =2A	I <sub>CH</sub> =3A	I <sub>CH</sub> =4A
<b>Average Inductor Current</b>	1.15A	2.3A	4.6A	6.9A	9.2A
<b>Input Capacitor C1</b>	10uF,0805	22uF,1206	2 22uF,1206 In Parallel	3 22uF,1206 In Parallel	4 22uF,1206 In Parallel
<b>Resistor R4, R5</b>	R4=800Kohm, R5=100Kohm				
<b>Diode D1</b>	SS24 or SS34	SS24 or SS34	SS24 or SS34	SS54 or 1N5824	SS54 or 1N5824
<b>Diode D2</b>	SS24 or SS34	SS24 or SS34	SS24 or SS34	SS34	SS34
<b>N-Type MOS M1</b>	SI2300,SI2302	AO4468, NCE3012S	AO4468, AO4410	AO4410, NCE3018S	AON7140
<b>P-Type MOS M2</b>	SI2301,SI2305	AO4435	AO4435	AO4407A	AO4407A
<b>Current Sense Resistor R<sub>CS</sub></b>	100mΩ, 0.25W	50 mΩ,0.5W	25 mΩ,0.75W	15 mΩ,1W	12 mΩ,1.2W
<b>Inductor L1</b>	12uH, I <sub>SAT</sub> >2A	6.8uH,I <sub>SAT</sub> >3.5A	4.7uH,I <sub>SAT</sub> >6A	3.3uH,I <sub>SAT</sub> >8A	2.2uH,I <sub>SAT</sub> >12A
<b>Switching Frequency</b>	546KHz	480KHz	350KHz	298KHz	358KHz
<b>Output Capacitor C<sub>o</sub></b>	10uF,0805	22uF,1206	2 22uF,1206 In Parallel	3 22uF,1206 In Parallel	4 22uF,1206 In Parallel

# CONSONANCE

(3) VIN=5V, I<sub>CH</sub> is charge current, battery termination voltage is set at 14.6V which is the case of 4-cell LiFePO4 batteries.

	I <sub>CH</sub> =0.5A	I <sub>CH</sub> =1A	I <sub>CH</sub> =2A	I <sub>CH</sub> =3A
<b>Average Inductor Current</b>	1.5A	3A	6A	9A
<b>Input Capacitor C1</b>	10uF,0805	22uF,1206	2 22uF,1206 In Parallel	3 22uF,1206 In Parallel
<b>Resistor R4, R5</b>	R4=1Mohm, R5=90Kohm			
<b>Diode D1</b>	SS24 or SS34	SS24 or SS34	SS24 or SS34	SS54 or 1N5824
<b>Diode D2</b>	SS24 or SS34	SS24 or SS34	SS24 or SS34	SS34
<b>NMOS M1</b>	SI2300,SI2302	AO4468, NCE3012S	AO4468, AO4410	AO4410, NCE3018S
<b>PMOS M2</b>	SI2301,SI2305	AO4435	AO4435	AO4407A
<b>Current Sense Resistor R<sub>CS</sub></b>	70mΩ, 0.25W	35 mΩ, 0.5W	18 mΩ, 1W	12 mΩ, 1.5W
<b>Inductor L1</b>	10uH, I <sub>SAT</sub> >2A	4.7uH, I <sub>SAT</sub> >5A	3.3uH, I <sub>SAT</sub> >8A	2.2uH, I <sub>SAT</sub> >12A
<b>Switching Frequency</b>	460KHz	488KHz	357KHz	357KHz
<b>Output Capacitor C<sub>o</sub></b>	10uF,0805	22uF,1206	2 22uF,1206 In Parallel	3 22uF,1206 In Parallel

## About EMI Reduction

EMI performance is highly dependent on the circuit design, component selection and PCB design, etc.

CN3305's LDRV pin adopts good drive capability to meet the requirement of outputting 35W power. If the LDRV's rise time and fall time is very short due to small Q<sub>g</sub> of external N-channel MOSFET, which may bring high frequency EMI. In these cases, a resistor(R3 in Figure 1 and Figure 2) can be used to reduce EMI.

R3's resistance should be chosen such that LDRV's rise time and fall time are at about 60ns, no more than 80ns.

## PCB Considerations

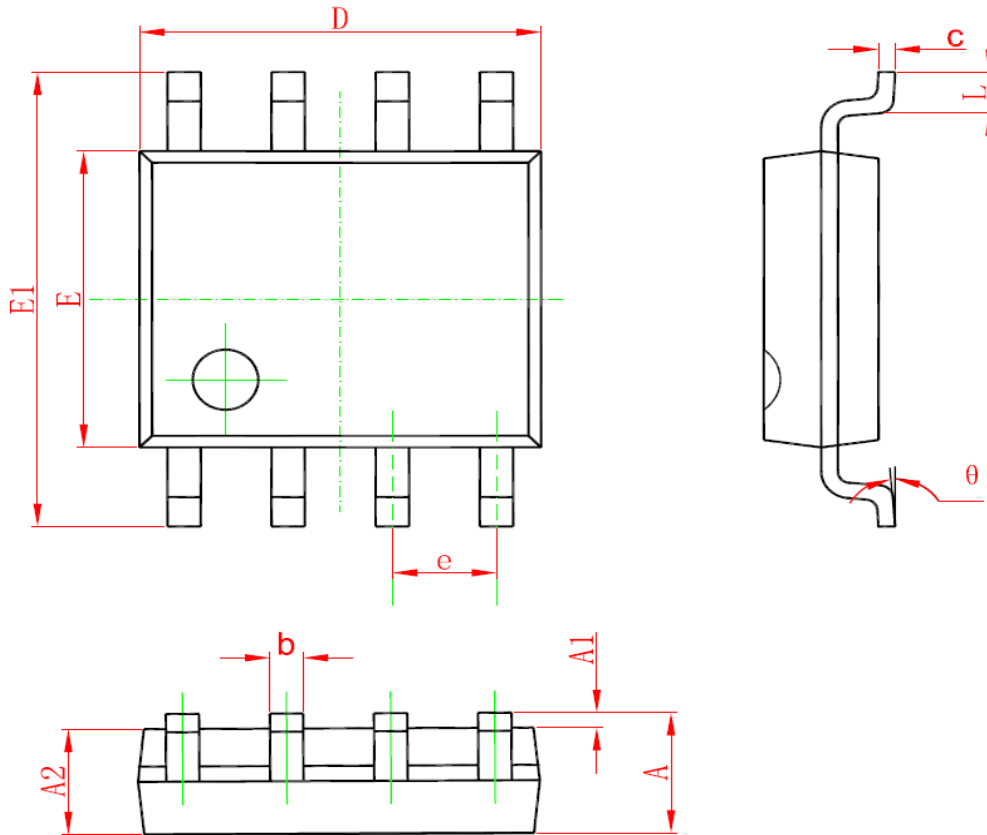
A good PCB design is very important to efficiency and performance. When laying out the printed circuit board, the following considerations should be taken to ensure proper operation of the IC.

- If possible, use multi-layer PCB for better performance.
- The ground connections of output capacitor, N-channel MOSFET, and catch diode (D2 in Figure 2) need to feed into same copper that connects to the input capacitor ground before tying back into system ground. This copper should be as wide as possible, and back to system ground separately.
- To minimize radiation, the 2 diodes, MOSFETs, inductor and the input bypass capacitor traces should be kept as short as possible. The connection between the diode and the MOSFETs should also be kept as short as possible.
- Place the inductor current sense resistor R<sub>CS</sub> right next to the input capacitor and inductor but oriented such that the IC's CSN and VIN traces going to R<sub>CS</sub> are not long. The 2 traces need to be routed together as a single pair on the same layer at any given time with smallest trace spacing possible.

# CONSONANCE

## Package Information

### SOP8 PACKAGE OUTLINE DIMENSIONS



Symbol	Dimensions In Millimeters		Dimensions In Inches	
	Min	Max	Min	Max
A	1.350	1.750	0.053	0.069
A1	0.100	0.250	0.004	0.010
A2	1.350	1.550	0.053	0.061
b	0.330	0.510	0.013	0.020
c	0.170	0.250	0.006	0.010
D	4.700	5.100	0.185	0.200
E	3.800	4.000	0.150	0.157
E1	5.800	6.200	0.228	0.244
e	1.270 (BSC)		0.050 (BSC)	
L	0.400	1.270	0.016	0.050
θ	0°	8°	0°	8°

Consonance Electronics does not assume any responsibility for use of any circuitry described. Consonance Electronics reserves the right to change the circuitry and specifications without notice at any time.