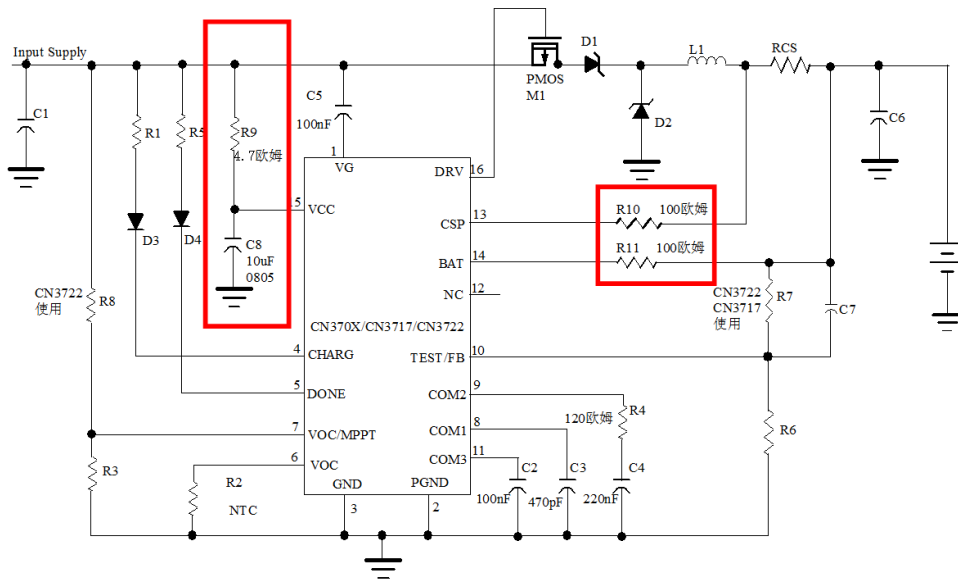


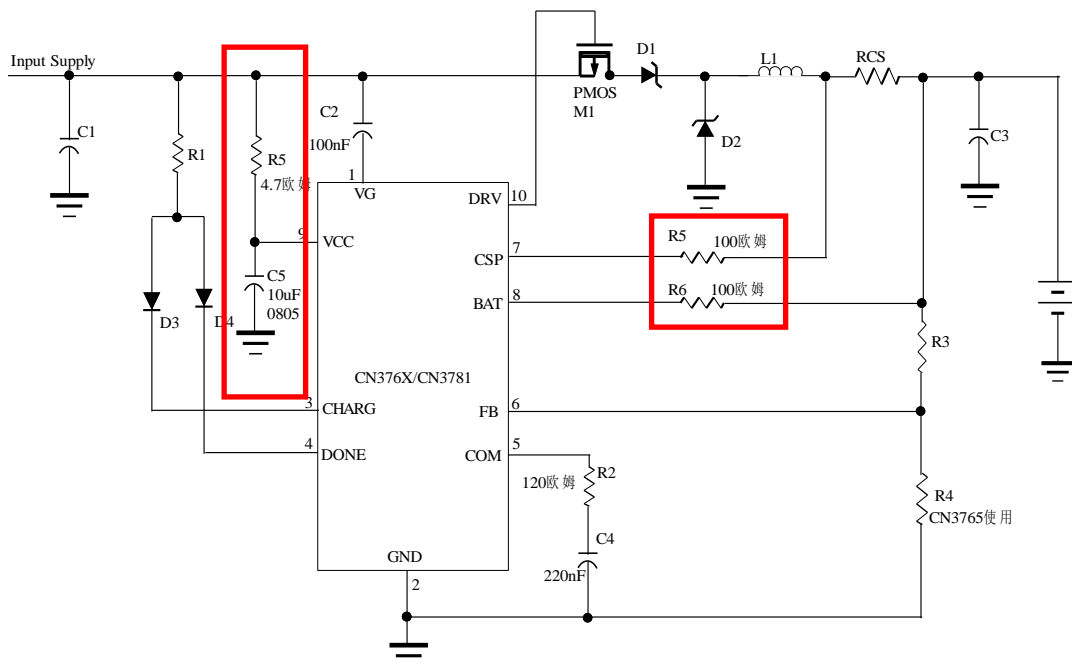
# CN37XX Surge Voltage Suppression

When the input power voltage of CN37XX is greater than 20V, because of the parasitic inductance and input capacitance of the power wire and the parasitic capacitance generated by the layout and wiring of PC board, surge voltage is generated at the moment of power on and power off. If the surge voltage exceeds a certain value, CN37XX will be damaged. In this case, you can refer to the following optimization circuit. The red box is the optimized circuit part.

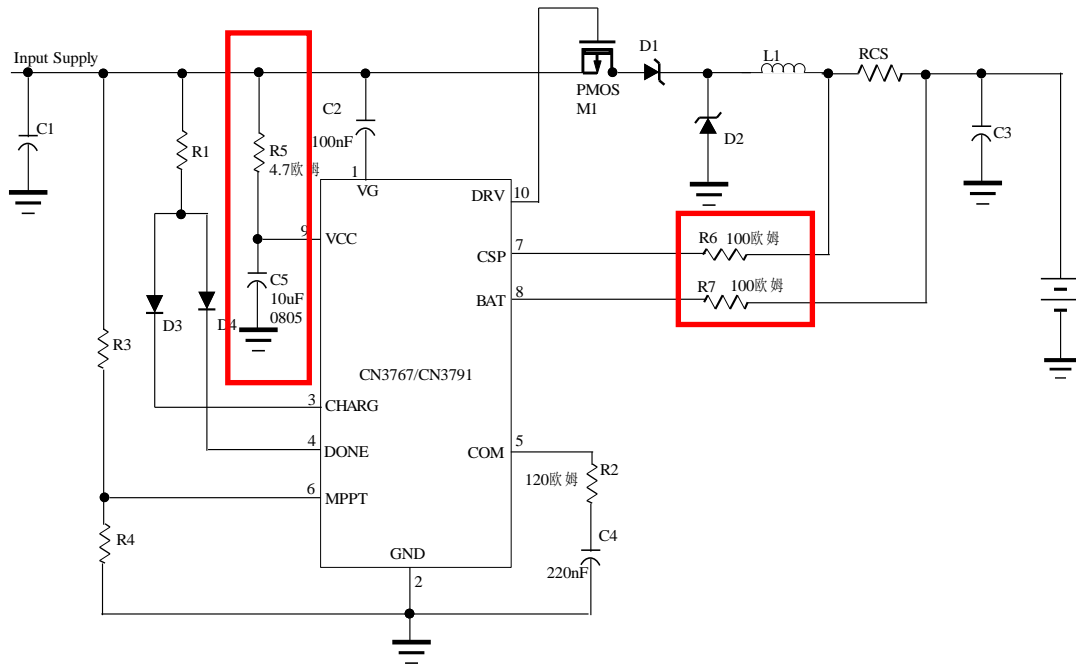
## 1、CN370X/CN3717/CN3722



## 2、CN376X/CN3781



### 3、CN3791/CN3767



### 4、CN3795

